

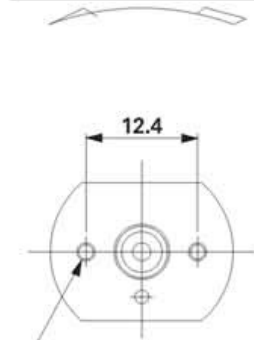


Precious Metal-Brush Motors / Output: Approx 0.05W~5.6W
Typical Applications: • Electric Shaver
 • Tooth Brush

Specifications

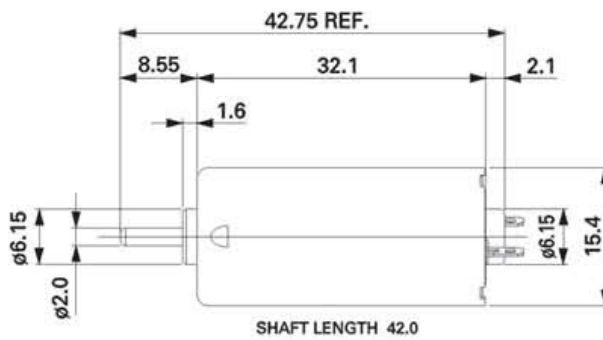
MODEL	VOLTAGE		NO LOAD		AT MAXIMUM EFFICIENCY				STALL			
	OPERATING RANGE	NOMINAL V	SPEED r/min	CURRENT A	SPEED r/min	CURRENT A	TORQUE g.cm	TORQUE mN.m	OUTPUT W	TORQUE g.cm	CURRENT A	
SFF-180SH-2852	3.0V MAX	2.4	8100	0.15	6850	0.82	18.6	1.82	1.30	120	11.8	4.50
SFF-180SH-2657	3.0V MAX	2.4	7700	0.13	6500	0.70	16.7	1.64	1.11	107	10.5	3.80
SFF-180SH-4026	1.5V MAX	1.2	8300	0.30	6990	1.60	16.7	1.64	1.20	106	10.4	8.55

DIRECTION OF ROTATION



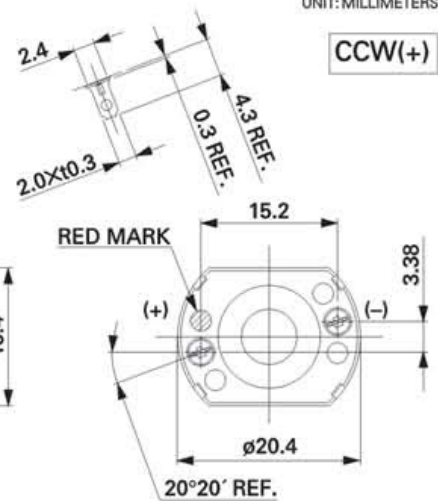
ISO M2.0X0.4 TAPPED HOLE
2 PLACES

Usable machine screw length 2.0 max.
from motor mounting surface.



UNIT: MILLIMETERS

CCW(+)



WEIGHT: 32g (APPROX)

SFF-180SH-2852

2.4V

SFF-180SH-2657

2.4V

